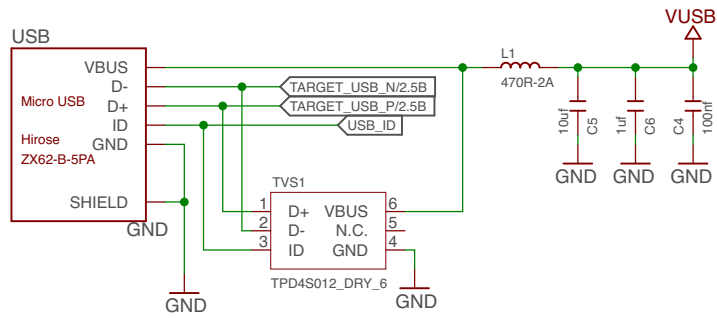
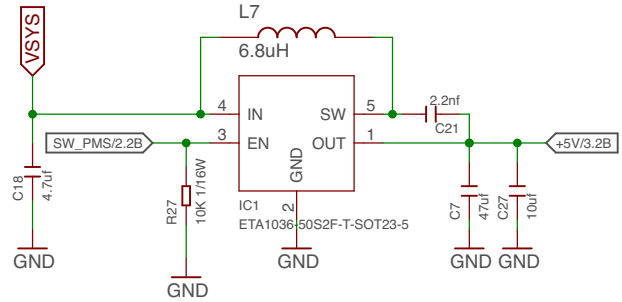


USB INPUT/OUTPUT

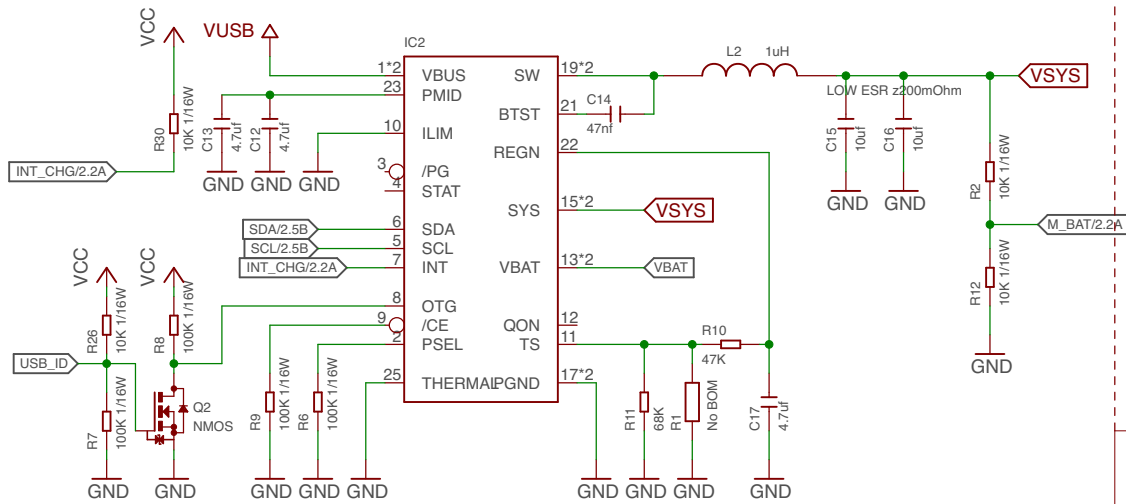


PMSX003 STEP-UP & PORT

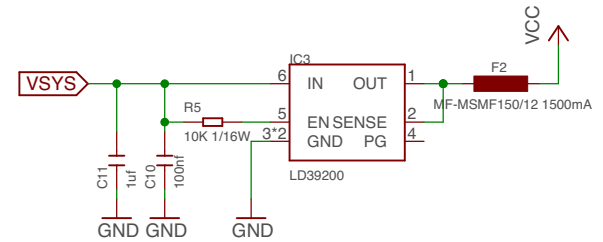


Pin SW_PMS cambiado al PA6

BATTERY CHARGER & SYSTEM SUPPLY



LINEAR REGULATOR



SCK_DATA_BOARD_2.1

19/01/2019 18:47

Sheet: 1/3