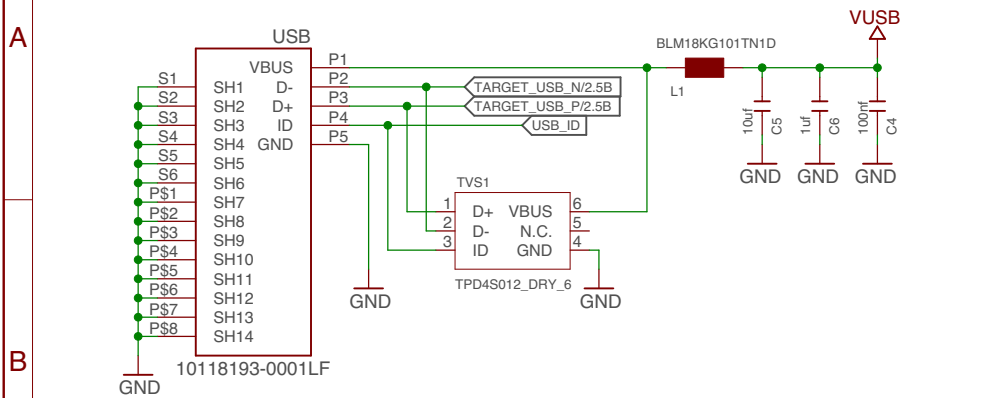
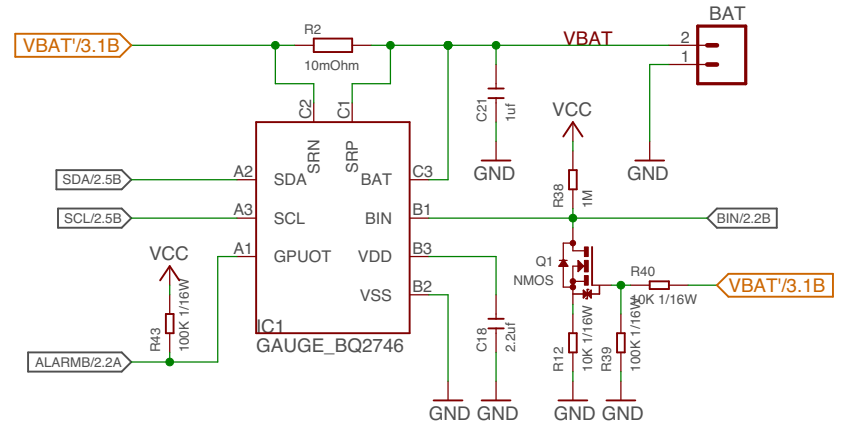


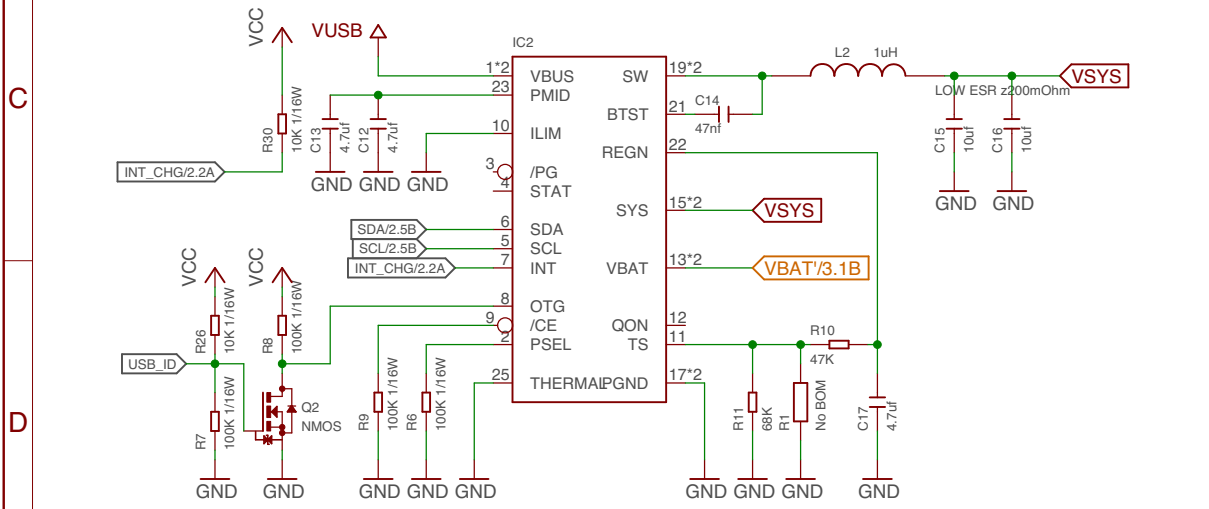
USB INPUT/OUTPUT



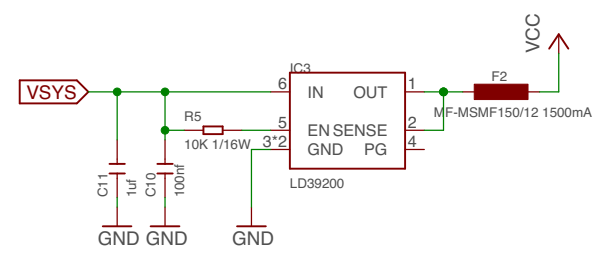
FUEL GAUGE



BATTERY CHARGER & SYSTEM SUPPLY

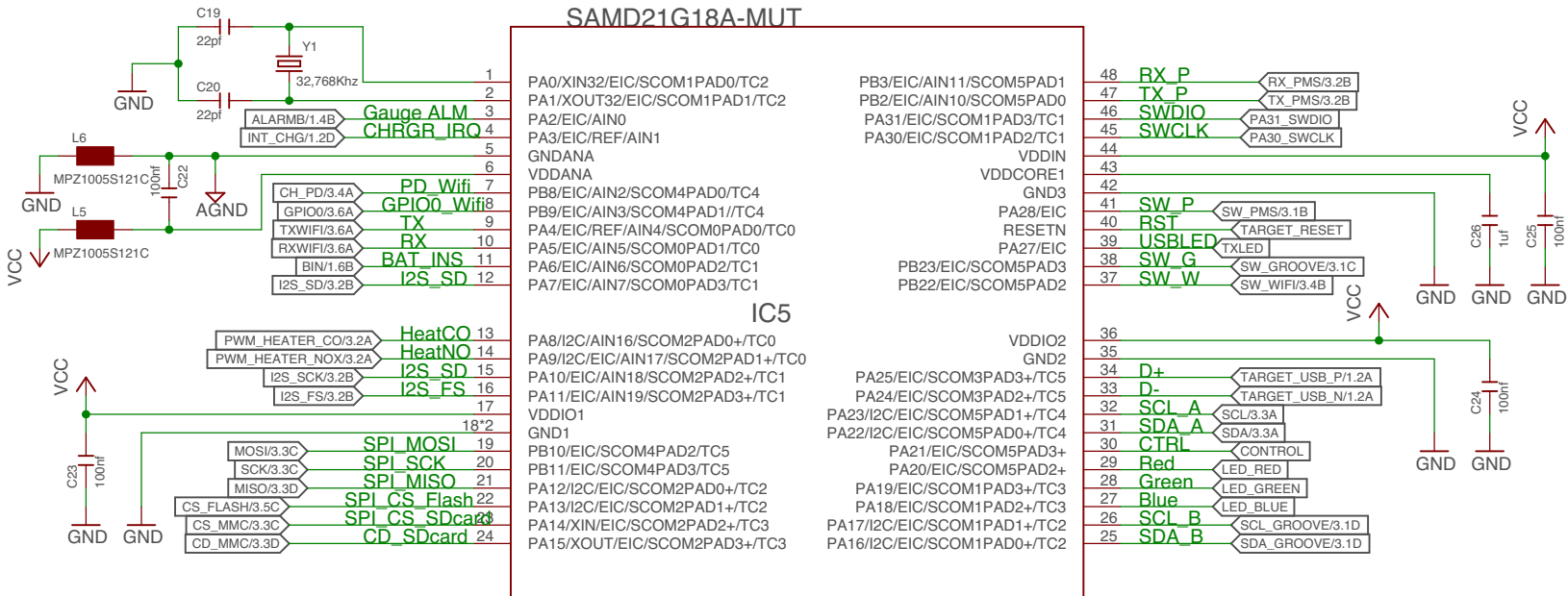


LINEAR REGULATOR

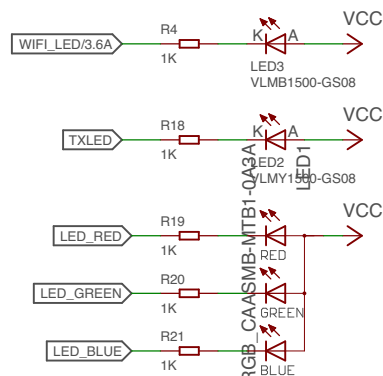


SAMD21G18 BASIC SYSTEM

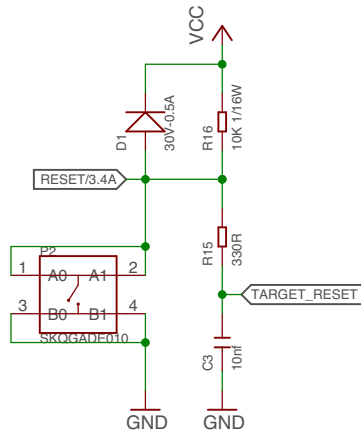
SAMD21G18A-MUT



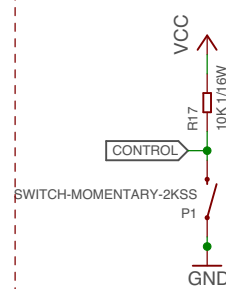
LED INTERFACE



RESET CONTROL



USER BUTTON



SWD INTERFACE

